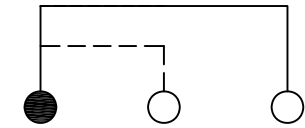
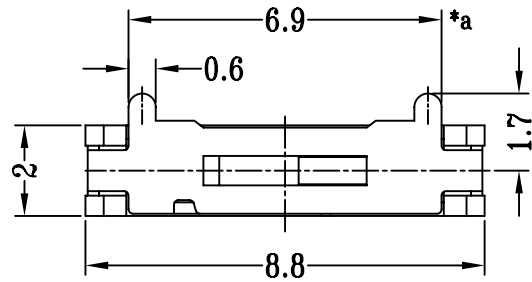
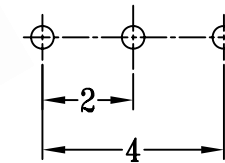
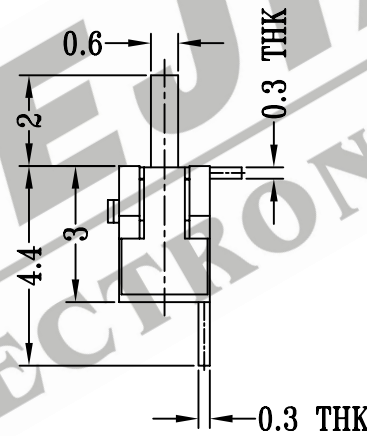
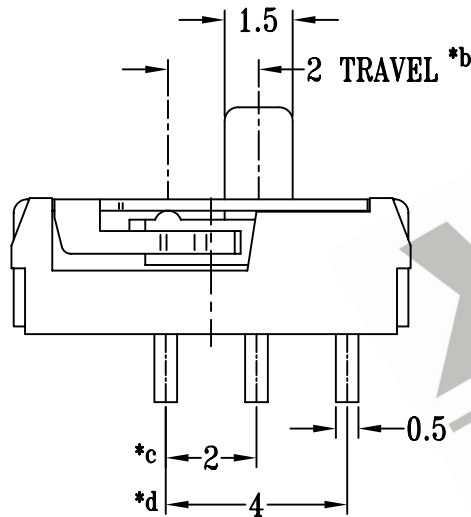


CAD FILE:



SCHMATIC (NON-SHORTING)



P.C.B LAYOUT

注:带"*"表示关键尺寸(4个)

| | | | | | | | | | | |
|-----|---------|-------------|------|--------------------------|---|--------------------------------------|------------|----------------------------|-----------|------------|
| 8 | | | | | TOLERANCE UNLESS SPECIFIED | SHENZHEN XIEJIA ELECTRONICS CO.,LTD. | | | | |
| 7 | | | | | | | | | | |
| 6 | | | | | WITHIN : 1.5±0.1mm OVER : 1.5±0.2mm | ISSUE | DATE | DESCRIPTIONS OF REVISION | | APPD. |
| 5 | CONTACT | PBS STRIP | 1 | Ag CLAD | | | | | | |
| 4 | ERMINAL | BRASS STRIP | 3 | Ag PLATED OVER Ni PLATED | TITLE : MINI SLIDE SWITCH | | UNIT : mm | DRWG NO.: XJ-DR-MK12D70-00 | | |
| 3 | COVER | SUS | 1 | WASHING | | | | MODEL: MK-12D70 | | SCALE: 6:1 |
| 2 | CASE | NYLON | 1 | BLACK | ALL MATERIALS MUST BE COMPLIANT TO ROHS | | SCALE: 6:1 | CHK'D | FANGYING | |
| 1 | KNOB | NYLON | 1 | IVORY | | | | APPD. | KANGXINAN | 2005-12-3 |
| NO. | PARTS | MATERIALS | Q'TY | FINISH | | | | | | |